



Standard Outdoor Transformers

ADVANTAGES

Patented angled bushings create greater visibility and ease of access to electrical connections, LED, and service button; mounting screws are not blocked and the step plate eliminates double-butting.

Auto Reset

After fault, automatically attempts to reset three (3) times within approximately ten (10) seconds reducing nuisance tripping. Manual reset possible at any time.

Visible advanced diagnostic LED detects primary and secondary faults and communicates the cause of the fault using the onboard LED allowing for faster and easier troubleshooting.

Bypass Feature overrides the SCGFP feature for up to 30 minutes for easy troubleshooting of ground faults.

Secondary Circuit Ground Fault Protection

Unit is disabled upon detection of arcs to ground in compliance with UL2161, C22.2 No. 255 and NEC requirements.

Last Fault Recall allows service technician to retrieve the last fault even after the fault condition has been cleared.

Can be used in flashing/dimming applications

P8G-2B Series 120VAC



MODELS

15030 P8G-2B

Secondary Output: 15kV, 30mA
Model Number: 38835

12030 P8G-2B

Secondary Output: 12kV, 30mA
Model Number: 38836

10530 P8G-2B

Secondary Output: 10.5kV, 30mA
Model Number: 38837

9030 P8G-2B

Secondary Output: 9kV, 30mA
Model Number: 38838

7530 P8G-2B

Secondary Output: 7.5kV, 30mA
Model Number: 38839

9060 P8G-2B

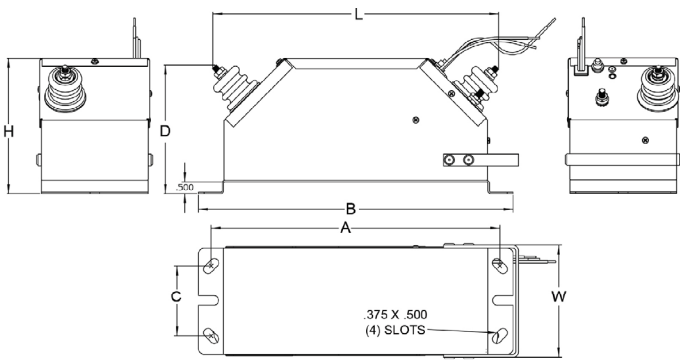
Secondary Output: 9kV, 60mA
Model Number: 38845

7560 P8G-2B

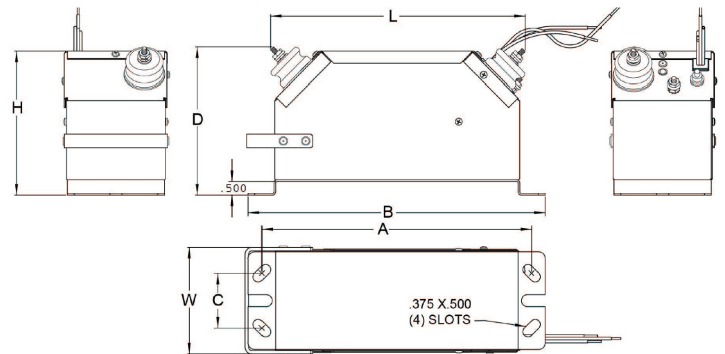
Secondary Output: 7.5kV, 60mA
Model Number: 38846

ELECTRICAL AND MECHANICAL DATA

Catalog Number	VAC	Hz	Secondary		Primary VA	Input Amp	Weight (lbs)	Case Dimensions (inches)						
			Volts	mA				L	W	H	A	B	C	D
15030 P8G-2B	120	60	15000	30	435	3.60	21	12.13	4.79	5.72	12.23	13.36	3.0	5.5
12030 P8G-2B	120	60	12000	30	380	3.15	18	12.13	4.79	5.72	12.23	13.36	3.0	5.5
10530 P8G-2B	120	60	10500	30	310	2.55	18	12.13	4.79	5.72	12.23	13.36	3.0	5.5
9030 P8G-2B	120	60	9000	30	285	2.35	13	9.22	3.89	5.25	9.87	10.87	2.0	5.5
7530 P8G-2B	120	60	7500	30	250	2.10	12	9.22	3.89	5.25	9.87	10.87	2.0	5.5
9060 P8G-2B	120	60	9000	60	565	4.70	24	12.13	4.79	5.72	12.23	13.36	3.0	5.5
7560 P8G-2B	120	60	7500	60	460	3.85	21	12.13	4.79	5.72	12.23	13.36	3.0	5.5



15030, 12030, 10530, 9060, 7560



9060, 7560

DIAGNOSTIC LED FAULT CODES

LED Fault Code	Indicates
Steady On	Operating normally
Continuous Flashing	Service mode
1- Flash	15 second Diagnostic and Auto Reset Mode
2- Flash	Secondary Ground Fault with service ground connected
3- Flash	Secondary Ground Fault when service ground not connected
4- Flash	Input Voltage exceeds 120% of rated
5- Flash	Line & Neutral reversed on input connections