



## Non-SGFP Cold Cathode Transformers

### ADVANTAGES

**Easy Carry Handle**

**On/Off Switch**

**Easy Wiring Methods**

Virtual Ground and Series Wiring Methods.

**Outdoor Non-weatherproof**

**Self-Enclosed**

Doesn't require separate enclosure.

**Multiple Knockouts**

Allows for a variety of mounting configurations.

**Dimmable to 10%**

**FRANCE**  
LIGHTING SOLUTIONS

**P6KA2N**



### MODELS

**90120 P6KA2N**

Secondary Output: 9kV, 120mA

**Model Number: 48992**

**75120 P6KA2N**

Secondary Output: 7.5kV, 120mA

**Model Number: 48990**

**90120 P6KA2N 277**

Secondary Output: 9kV, 120mA

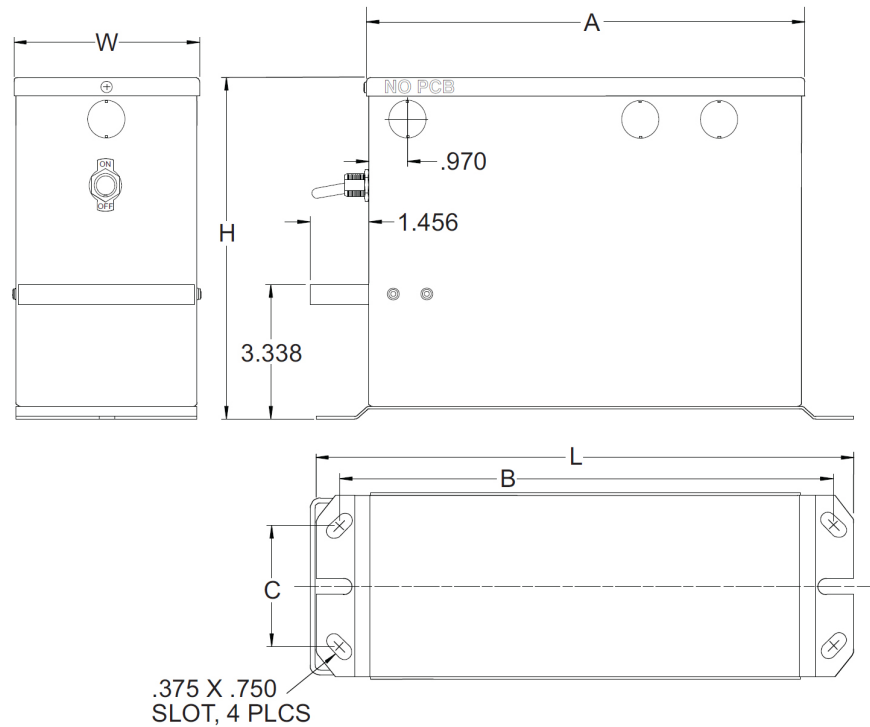
**Model Number: 48993**

**75120 P6KA2N 277**

Secondary Output: 7.5kV, 120mA

**Model Number: 48991**

NORMAL POWER FACTOR													
Catalog Number	VAC	Hz	Secondary		Primary VA	Input Amp	Weight (lbs)	Case Dimensions (inches)					
			Volts	mA				L	W	H	A	B	C
90120 P6KA2N	120	60	9000	120	1080	9.0	45	17.55	4.62	8.00	15.07	16.41	3.0
75120 P6KA2N	120	60	7500	120	900	7.5	42	17.55	4.62	8.00	15.07	16.41	3.0
90120 P6KA2N	277	60	9000	120	1080	4.0	45	17.55	4.62	8.00	15.07	16.41	3.0
75120 P6KA2N	277	60	7500	120	900	3.0	42	17.55	4.62	8.47	15.07	16.41	3.0



This product is for use in cold-cathode Lighting systems intended for installation in accordance with Article 410 of the NEC.