



Self-Enclosed Transformer

ADVANTAGES

True 30mA & 60mA Output

The ServiceMaster can replace 8 ratings.

Diagnostic Circuit

LED Indicates the reason for service, allowing for quick, easy troubleshooting.

Primary Wiring Requirements of a Non-SCGFP

with the added safety of Secondary Circuit Ground Fault Protection.

Secondary Circuit Ground Fault Protection

Unit is disabled upon detection of arcs to ground in compliance with UL2161, C22.2 No. 255 and NEC requirements.

Service Button overrides the SCGFP for up to 30 minutes or easy troubleshooting of ground faults and primary wiring problems.

Auto Reset three times within ten seconds after secondary ground fault. Manual reset possible at any time.

Easy wiring and mounting

Step Plate eliminates double-nutting. Adapts to most grounding situations. Virtual Ground and Series Wiring Methods.

FRANCE

LIGHTING SOLUTIONS

P5KA2NG-2E

277V



MODELS

15030 P5KA2NG-2E 277

Secondary Output: 15kV, 30mA

Model Number: 38878

12030 P5KA2NG-2E 277

Secondary Output: 12kV, 30mA

Model Number: 38879

10530 P5KA2NG-2E 277

Secondary Output: 10.5kV, 30mA

Model Number: 38880

9030 P5KA2NG-2E 277

Secondary Output: 9kV, 30mA

Model Number: 38881

7530 P5KA2NG-2E 277

Secondary Output: 7.5kV, 30mA

Model Number: 38882

6030 P5KA2NG-2E 277

Secondary Output: 6kV, 30mA

Model Number: 38883

5030 P5KA2NG-2E 277

Secondary Output: 5kV, 30mA

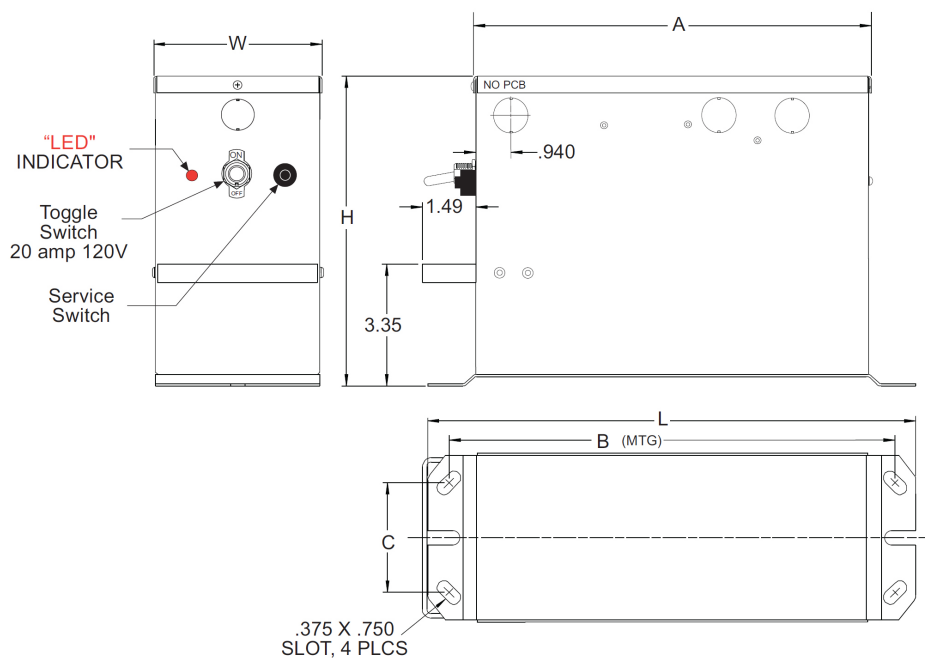
Model Number: 38884

4030 P5KA2NG-2E 277

Secondary Output: 4kV, 30mA

Model Number: 38885

NORMAL POWER FACTOR													
Catalog Number	VAC	Hz	Secondary		Primary VA	Input Amps	Weight (lbs)	Case Dimensions (inches)					
			Volts	mA				L	W	H	A	B	C
15030 P5KA2NG-2E 277	277	60	15000	30	425	1.55	25	13.35	4.50	7.42	10.87	12.21	3.0
12030 P5KA2NG-2E 277	277	60	12000	30	385	1.40	23	13.35	4.50	7.42	10.87	12.21	3.0
10530 P5KA2NG-2E 277	277	60	10530	30	310	1.15	23	13.35	4.50	7.42	10.87	12.21	3.0
9030 P5KA2NG-2E 277	277	60	9000	30	275	1.00	19	13.35	4.50	7.42	10.87	12.21	3.0
7530 P5KA2NG-2E 277	277	60	7500	30	235	.85	17	13.35	4.00	6.13	10.87	12.21	3.0
6030 P5KA2NG-2E 277	277	60	6000	30	190	.70	16	13.35	4.00	6.13	10.87	12.21	3.0
5030 P5KA2NG-2E 277	277	60	5000	30	160	.60	16	13.35	4.00	6.13	10.87	12.21	3.0
4030 P5KA2NG-2E 277	277	60	4000	30	130	.50	15	13.35	4.00	6.13	10.87	12.21	3.0



DIAGNOSTIC LED FAULT CODES	
LED Fault Code	Indicates
Steady On	Operating normally
Continuous Flashing	Service mode
1- Flash	15 second Diagnostic and Auto Reset Mode
2- Flash	Secondary Ground Fault with service ground connected
3- Flash	Secondary Ground Fault when service ground not connected
4- Flash	Input Voltage exceeds 120% of rated
5- Flash	Line & Neutral reversed on input connections