



FRANCE

LIGHTING SOLUTIONS

P5G-2ELP



Standard Outdoor Low Profile Transformers

ADVANTAGES

Saves space and improves installation flexibility

Shallow raceways are no longer a challenge with this innovative design. At only 3.4 inches in height, this new power supply will fit easily into tight spaces.

Reliable Design

UL2161 secondary ground fault protection, pre-wired primary leads, and last-fault diagnostics are standard in this power supply backed by France reliability.

Flexible Configuration

Available in a 120V and 277V primary version, and 9030 and 750 configuration.

MODELS

9030 P5G-2ELP

Secondary Output: 9kV, 30mA
Model Number: 38831

7530 P5G-2ELP

Secondary Output: 7.5kV, 30mA
Model Number: 38832

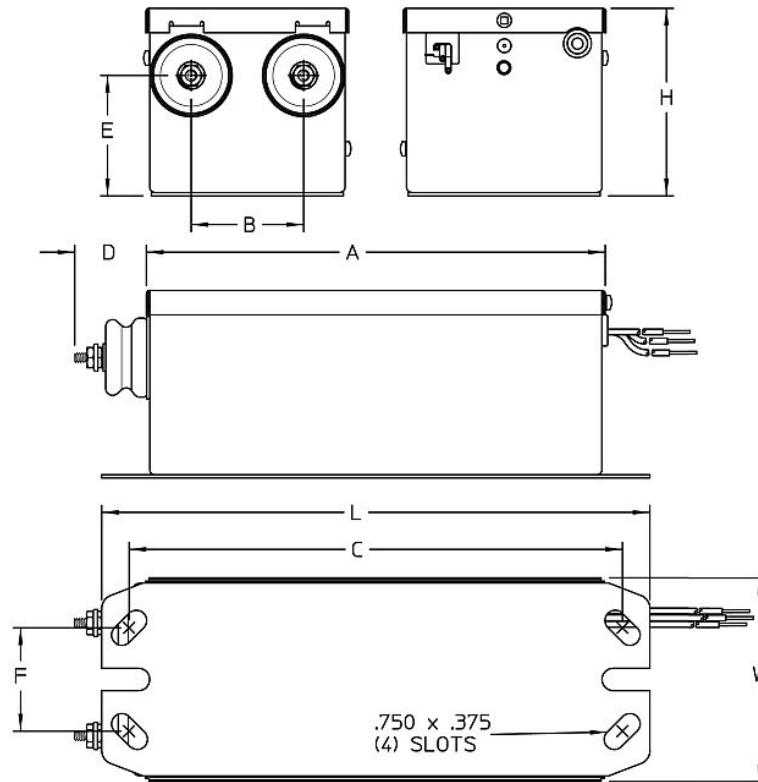
9030 P5G-2ELP 277

Secondary Output: 9kV, 30mA
Model Number: 38833

7530 P5G-2ELP 277

Secondary Output: 7.5kV, 30mA
Model Number: 38834

NORMAL POWER FACTOR																
Catalog Number	VAC	Hz	Secondary		Primary VA	Input Amps	Weight (lbs)	Case Dimensions (inches)								
			Volts	mA				L	W	H	A	B	C	D	E	F
9030 P5G-2ELP	120	60	15000	30	285	2.35	11	10.00	3.69	3.40	8.37	2.05	9.0	1.31	2.18	1.88
7530 P5G-2ELP	120	60	12000	30	250	2.10	11	10.00	3.69	3.40	8.37	2.05	9.0	1.31	2.18	1.88
9030 P5G-2ELP 277	277	60	10500	30	280	1.00	11	10.00	3.69	3.40	8.37	2.05	9.0	1.31	2.18	1.88
7530 P5G-2ELP 277	277	60	9000	30	235	.85	11	10.00	3.69	3.40	8.37	2.05	9.0	1.31	2.18	1.88



DIAGNOSTIC LED FAULT CODES	
LED Fault Code	Indicates
Steady On	Operating normally
Continuous Flashing	Service mode
1- Flash	15 second Diagnostic and Auto Reset Mode
2- Flash	Secondary Ground Fault with service ground connected
3- Flash	Secondary Ground Fault when service ground not connected
4- Flash	Input Voltage exceeds 120% of rated
5- Flash	Line & Neutral reversed on input connections