

A fusion of Performance, Quality & Value. Eco Power Supplies.

*Designed to operate reliably at full rated power-
No de-rating required!*

30W 24V CLASS 2 LED POWER SUPPLY



No power de-rating required

Supports 100% 30W load across the entire operating temperature range.
Light more LEDs with less power supplies, creating cost savings.



High electrical efficiency

Enables low energy costs and cool operation in a small package.
Features an 85°C maximum case temperature.



Low Profile

Great for small signs or inside channel letters.



For more information, contact your France distributor or email us at sales@sfeg.com

FRANCE

LIGHTING SOLUTIONS

800.793.4793 www.sfeg.com 2268 Fairview Blvd, Fairview, TN 37062

Eco Power Supply DRV-2430-E Specifications



IP68



Size

6.10" Long x 1.77" Wide x 1.17" Tall
Including Baseplate. 1 pound.

Ambient Operating Temperature

-30°C to 60°C

Input

120/277VAC, 50/60Hz, .80/.40
Amp Max

Output

24VDC, 1.25 Amp, 30 Watt, Class 2
No Minimum Loading Requirement

Lead Length

10" RTJW Input and Output

Environment

IP68, For Use in Dry or Damp locations

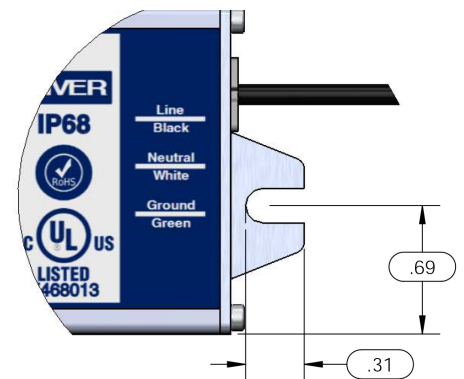
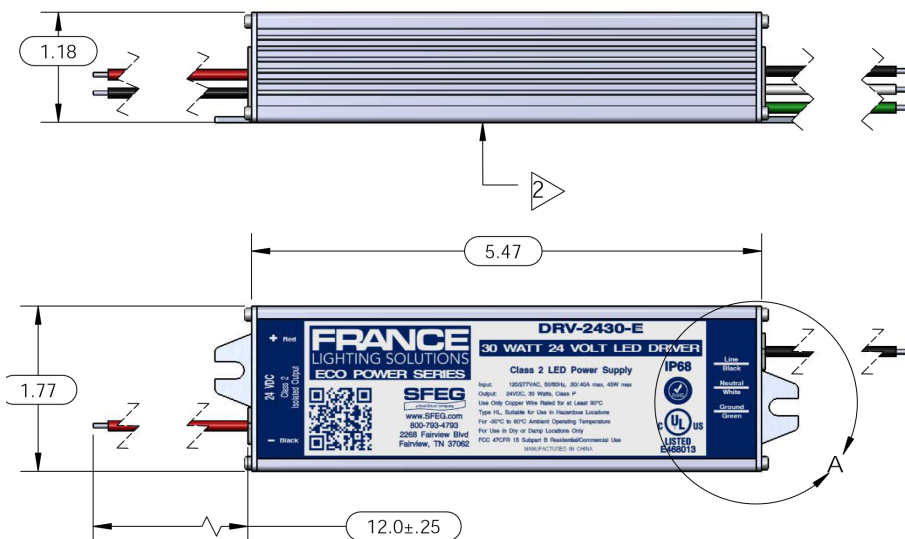
UL Listed Class P

FCC 47CFR 15 Subpart B Residential
or Commercial Use

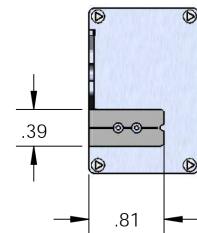
Warranties

5 Year France LED Parts Warranty

1 Year Labor Warranty



DETAIL A
SCALE 2 : 1.5



For more information, contact your France distributor or email us at sales@sfeg.com

800.793.4793

www.sfeg.com

2268 Fairview Blvd, Fairview, TN 37062