

# A fusion of Performance, Quality & Value. Eco Power Supplies.

*Designed to operate reliably at full rated power-  
No de-rating required!*

## 30W 12V CLASS 2 LED POWER SUPPLY



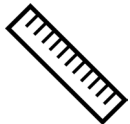
### No power de-rating required

Supports 100% 30W load across the entire operating temperature range. Light more LEDs with less power supplies, creating cost savings.



### High electrical efficiency

Enables low energy costs and cool operation in a small package. Features an 85°C maximum case temperature.



### Low Profile

Great for small signs or inside channel letters.



DRV-1230-E

For more information, contact your France distributor or email us at [sales@sfeg.com](mailto:sales@sfeg.com)

# FRANCE

## LIGHTING SOLUTIONS

800.793.4793

[www.sfeg.com](http://www.sfeg.com)

2268 Fairview Blvd, Fairview, TN 37062

# Eco Power Supply DRV-1230-E

## Specifications



**IP68**



### Size

6.10" Long x 1.77" Wide x 1.17" Tall  
Including Baseplate. 1 pound.

### Ambient Operating Temperature

-30°C to 60°C

### Input

120/277VAC, 50/60Hz, .80/.40  
Amp Max

### Output

12VDC, 2.5 Amp, 30 Watt, Class 2  
No Minimum Loading Requirement

### Lead Length

10" RTJW Input and Output

### Environment

IP68, For Use in Dry or Damp locations

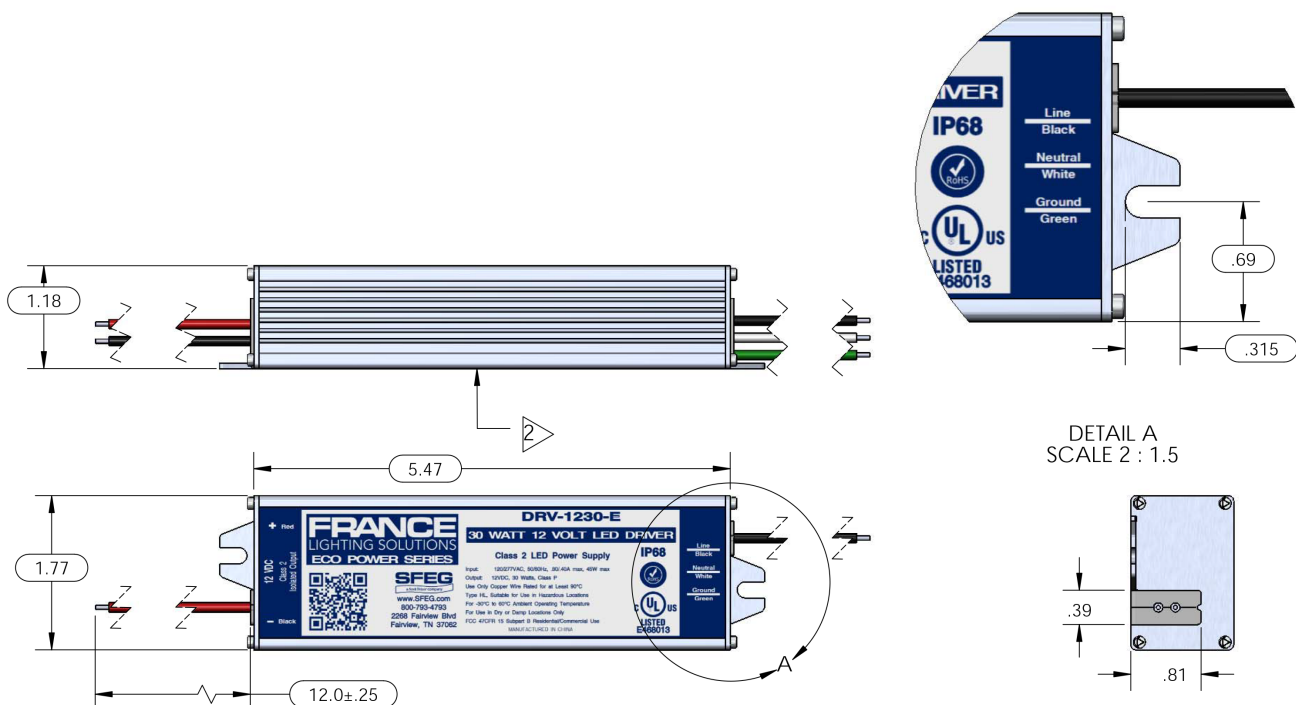
UL Listed Class P

FCC 47CFR 15 Subpart B Residential  
or Commercial Use

### Warranties

5 Year France LED Parts Warranty

1 Year Labor Warranty



For more information, contact your France distributor or email us at [sales@sfeg.com](mailto:sales@sfeg.com)

800.793.4793

[www.sfeg.com](http://www.sfeg.com)

2268 Fairview Blvd, Fairview, TN 37062