

When it has to work... EVERY TIME.  
Count on **Atlas Power Supplies.**

*Featuring an LED Status Indicator that instantly alerts you of an overload or short.*

## WET-LISTED 60W 24V CLASS 2 LED POWER SUPPLY



### No power de-rating required

Supports 100% 60W load across the entire operating temperature range. Light more LEDs with less power supplies, creating cost savings.



### High electrical efficiency

Enables low energy costs and cool operation in a small package. Features an 85°C maximum case temperature.



### Maximum water resistance

IP68 rating and wet-listed conduit fittings. Low profile and fully potted.



DRV-2460-A

For more information, contact your France distributor or email us at [sales@sfeg.com](mailto:sales@sfeg.com)

# FRANCE

## LIGHTING SOLUTIONS

800.793.4793

[www.sfeg.com](http://www.sfeg.com)

2268 Fairview Blvd, Fairview, TN 37062

# Atlas Power Supply DRV-2460-A Specifications



IP68



## Size

8.7" Long x 1.97" Wide x 1.42" Tall  
including baseplate & conduit fittings  
2 lbs

## Ambient Operating Temperature

-30°C to 60°C

## Input

120/277VAC, 50/60Hz, 1.2/.70  
Amp Max

## Output

24VDC, 2.5 Amp, 60 Watt, Class 2  
No Minimum Loading Requirement

## Lead Length

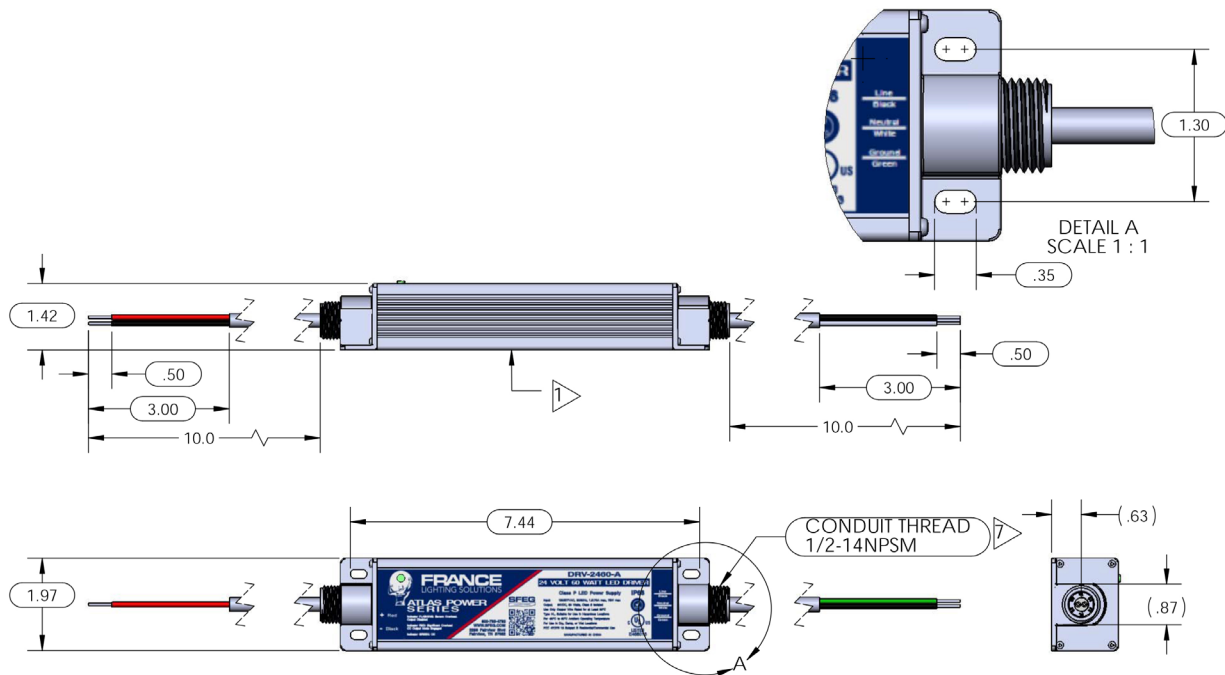
10" RTJW Input and Output

## Environment

IP68, For Use in Dry, Damp or Wet locations  
UL Listed Class P  
FCC 47CFR 15 Subpart B Residential or  
Commercial Use

## Warranties

5 Year France LED Parts Warranty  
1 Year Labor Warranty



For more information, contact your France distributor or email us at [sales@sfeg.com](mailto:sales@sfeg.com)

800.793.4793

[www.sfeg.com](http://www.sfeg.com)

2268 Fairview Blvd, Fairview, TN 37062