

When it has to work... EVERY TIME. Count on **Atlas Power Supplies.**

Featuring an LED Status Indicator that instantly alerts you of an overload or short.

WET-LISTED 120W 12V CLASS 2 LED POWER SUPPLY



No power de-rating required

Supports 100% 120W load across the entire operating temperature range. Light more LEDs with less power supplies, creating cost savings.



High electrical efficiency

Enables low energy costs and cool operation in a small package. Features an 85°C maximum case temperature. High Power Factor.



Maximum water resistance

IP68 rating and wet-listed conduit fittings. Low profile and fully potted.



DRV-12120-A

Overload indicator light makes installation quick & easy!

For more information, contact your France distributor or email us at sales@sfeg.com

FRANCE

LIGHTING SOLUTIONS

800.793.4793

www.sfeg.com

2268 Fairview Blvd, Fairview, TN 37062

Atlas Power Supply DRV-12120-A Specifications



IP68



Size

9.69" Long x 2.72" Wide x 1.57" Tall
Including Baseplate & Conduit Fittings,
2.9 lbs

Ambient Operating Temperature

-30°C to 60°C

Input

120/277VAC, 50/60Hz,
1.7/.70 Amp Max

Output

12VDC, 2x5 Amps, 2x60 Watt,
Class 2

No Minimum Loading Requirement

Lead Length

10" RTJW Input and Output

Environment

IP68, For Use in Dry, Damp or Wet locations

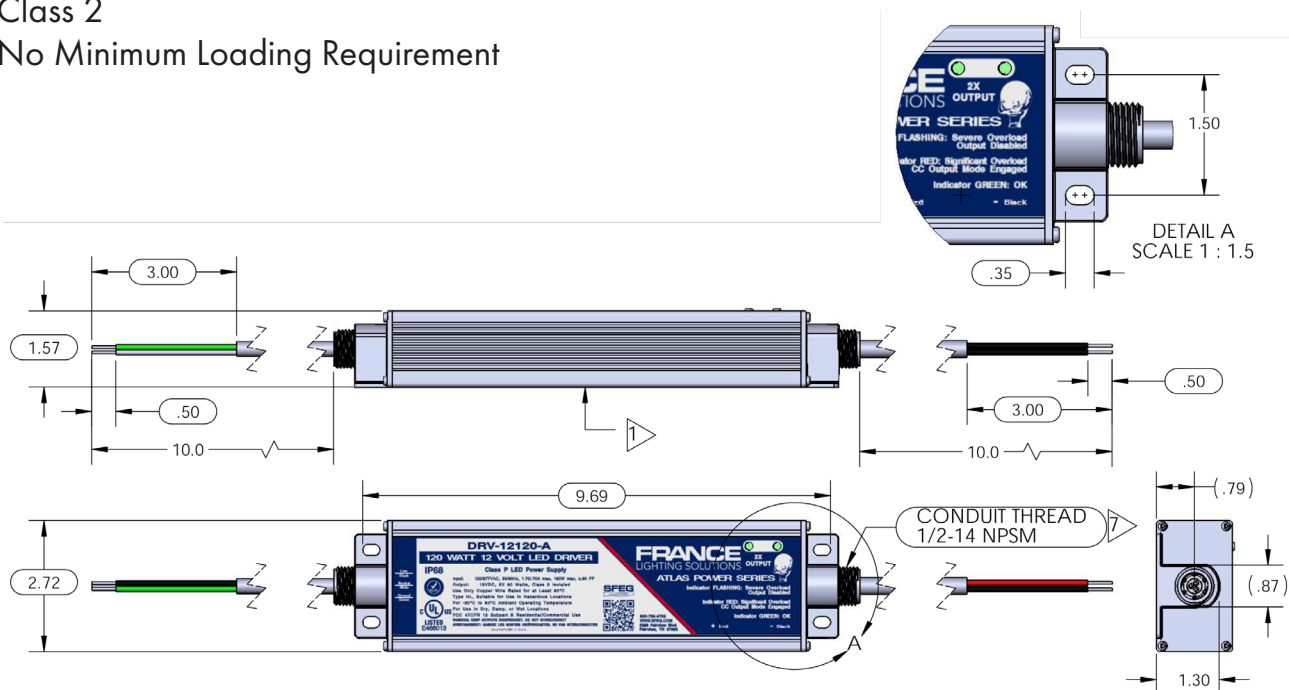
UL Listed Class P

FCC 47CFR 15 Subpart B Residential or
Commercial Use

Warranties

5 Year France LED Parts Warranty

1 Year Labor Warranty



For more information, contact your France distributor or email us at sales@sfeg.com

800.793.4793

www.sfeg.com

2268 Fairview Blvd, Fairview, TN 37062